

# Electric water heating

## Interruptible Water heating (8-hour) Electric rate: 6.15¢/kWh


Lake Country Power's interruptible water heating program is for water heaters that have sufficient storage capacity to supply hot water over a peak period while the electrical supply is interrupted up to eight hours a day – usually on the hottest or coldest days of the month.

Lake Country Power requires a water heater of at least 50 gallons or more to participate in the program. Larger tank sizes may be required for large families.

### Advantages

- Great for cabins or homes with limited space for a larger water heater tank.
- Can be wired in conjunction with your existing dual fuel program at 6.15 cents/kWh.
- Option for existing four-hour peak shave water heater members to convert to a lower cost plan.
- Works well for commercial members in small kitchens and bathroom areas.

### Save Energy Dollars

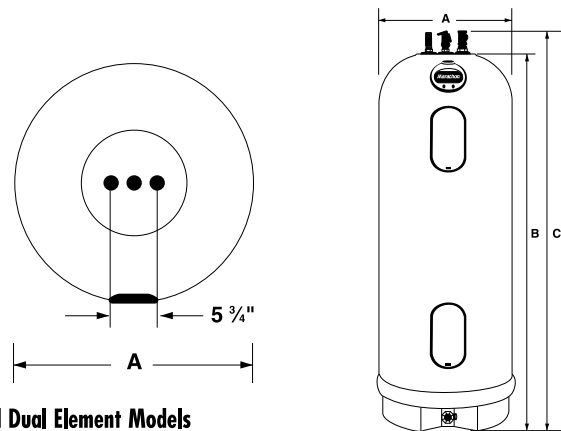
	<b>6.15¢/kWh 8-hour rate</b>  (Based on 500 kWh/month)	<b>Propane @ \$1.70/gallon</b>  (Based on 25 gallons of propane)
<b>Monthly Operating Expense (family of four)</b>	<b>\$30.75</b>	<b>\$42.50</b>
<b>Average Annual Expense (family of four)</b>	<b>\$369.00</b>	<b>\$510.00</b>

- The interruptible rate of 6.15 cents/kilowatt-hour for water heating is comparable to a propane rate of \$1.16 cents per gallon.
- It's safe. No flames, no vents, no back drafts and no carbon monoxide.

High-efficiency Marathon storage water heaters are available from Lake Country Power – ask about them today!

## Water Heating Cost Comparison

Propane	8-hour 6.15¢/kWh electricity
70% Efficient (standard unit)	Equivalent to \$1.16 propane (per gal.)
90% Efficient (high efficiency unit)	Equivalent to \$1.49 propane (per gal.)
Fuel Oil	6.15¢/kWh electricity
60% Efficient (standard unit)	Equivalent to \$1.50 fuel oil (per gal.)
80% Efficient (high efficiency unit)	Equivalent to \$2.00 fuel oil (per gal.)



Standard Dual Element Models


Model	Gallon Capacity	Element Wattage	Recovery @ 90°F Gal./hr	First Hour Rating	Energy Factor	A	Nominal Dimensions B	C	Shipping Weight
MR50245	50	4500/4500	21.0	54 gal.	.95	23.5"	62.75"	66.75"	100 lbs.
MR85245	85	4500/4500	20.0	91 gal.	.92	28.25"	66.25"	70.25"	134lbs.

Notes: 240 Volt AC single phase, standard

Maximum test pressure: 300 PSI  
Maximum working pressure: 150 PSI

Call your local Lake Country Power service center or visit [www.lakecountrypower.coop](http://www.lakecountrypower.coop) for more information.



A Touchstone Energy® Cooperative 

Grand Rapids • Kettle River • Mountain Iron  
800-421-9959

\*This program may require an additional meter.